

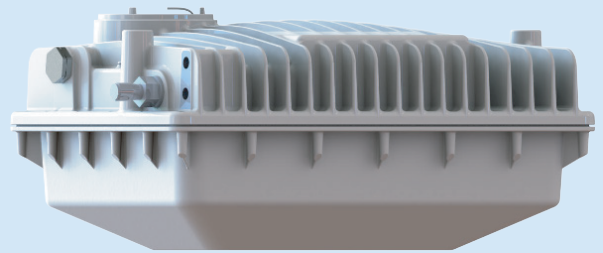


# KONA Strand Macro IoT Gateway

## High Capacity LoRaWAN® DOCSIS Gateway for IoT Deployments

TEKTELIC's KONA Strand Macro IoT Gateway provides network operators with a carrier grade product designed for the rapid deployment of LoRaWAN® Internet of Things networks. The Gateway accommodates diverse deployment requirements in a single box solution.

- Cable Strand Deployment
- Private Network
- Public Network
- Industrial Automation
- Facility Management



### Key Product Differentiators

- » High availability carrier grade design with support of in-service configuration and software updates.
- » Environmentally hardened aluminium enclosure fully tested to withstand extreme temperature conditions.
- » Full duplex operation making all receive and transmit channels available simultaneously.
- » Excellent isolation between the Tx and Rx bands as well as out of band rejection of Cellular and Paging networks.
- » Day-One scalability with support of up to 12 million received messages per day.
- » Leverages the HFC network in a LoRaWAN® solution.
- » Fully integrated with the broader eco-system of LoRa network servers and sensors.

### Key Features

- » Frequency Duplex 32 Rx / 1 Tx
- » High Linearity
- » Integrated Bandpass Filter (Duplexer)
- » Precise Network Synchronization (GPS)
- » Integrated GPS Holdover
- » 27 dBm Tx Power
- » Geolocalization Support
- » Hardened Carrier Grade Enclosure
- » DOCSIS 3.0 Cable backhaul
- » Lightning Arrester Equipped
- » Rated IP67 Enclosure
- » NA 915 ISM Band

# KONA Strand Macro IoT Gateway

## High Capacity LoRaWAN® DOCSIS Gateway for IoT Deployments

### Technical and Functional System Specifications

#### Mechanical Parameters

MTBF	450,000 hours
DC Power Consumption	< 50W
Operational Temperature	-40°C to +60°C
Operational Humidity	5% to 100% Condensing
Ingress Protection	IP67
Size	268.9 x 179.9 x 130.7 mm
Weight	2.81 kg
Volume	6.3 L

#### LoRa Radio Parameters

ISM NA Band	902 - 915 MHz (Rx)
	923 - 928 MHz (Tx)
Tx Power	27dBm
Rx Sensitivity	-135 dBm (SF10)
Rx Noise Figure	3.5 dB
Rx Linearity	-10 dBm
Rx Dynamic Range	70 dB Analog, 100+ dB Digital
Tx to Rx Isolation	75 dB

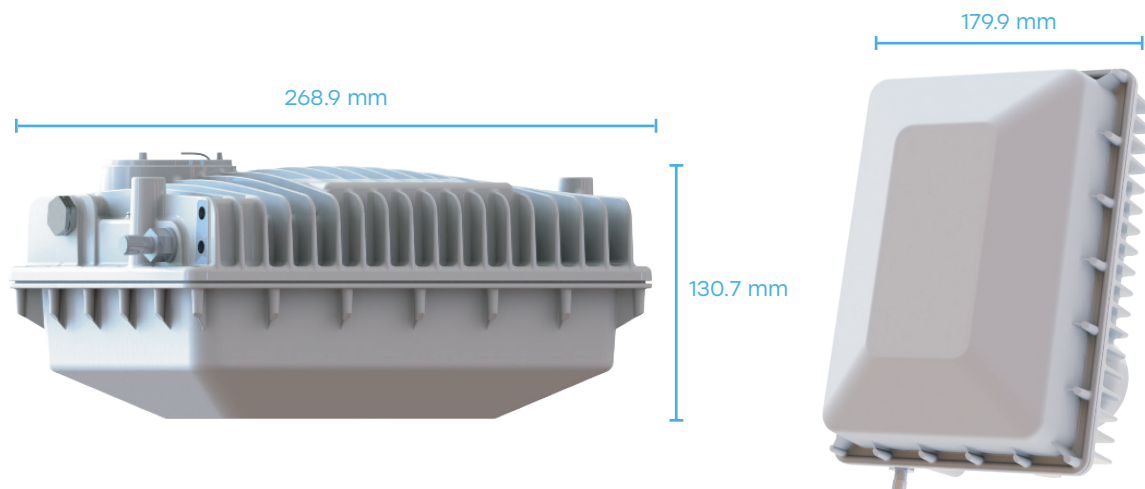
#### Software and Management

Tools	System Health Monitor
	Flight Recorder
	Radio Configuration and Control
	Remote Software Upgrade
	Active and Passive image management
Networking	DHCPv4 client
	TFTP server
	HTTP server

#### Interfaces

Backhaul	DOCSIS 3.0
GPS	Internal
LoRa Antenna	Internal
Power	HFC (44 - 90 Vac)

Safety	CSA/UL/ 62368-1
Surge	EN 61000-4-5 (+/-6 kV)
Regulatory	FCC Part 15.247, 109, 209



TEKTELIC Communications is a premier supplier of best-in-class LoRaWAN® IoT Gateways, Sensors, and custom applications. These elements combined provide a powerful end-to-end solution that can be easily, quickly, and cost effectively deployed to address the most demanding IoT challenges.

For more information please visit [www.tektelic.com](http://www.tektelic.com)